



أي جرافيكس ساين للإعلانات ش.ذ.م.م
iGRAPHICS
 SIGN ADVERTISING LLC

Just think, we'll deliver!

SIGN & GRAPHICS
 EXHIBITS & DISPLAYS
 FABRICATION
 DIGITAL SIGNS

iGraphics Sharjah
 ☎ +971 6 544 1110
 Ind. Area 12, Behind BMW Showroom
 P. O. Box 44266, Sharjah - UAE

iGraphics Dubai
 ☎ +971 4 450 7779
 Business Bay, Oxford Tower 906
 P.O.Box 119256 Dubai UAE

☎ +971 6 544 1116
 ✉ info@iGraphics.ae
 🌐 www.iGraphics.ae



iGraphics Sign Advertising provides sign design, Fabrication, manufacturing, installation, repair and maintenance services throughout the UAE.

We work for a range of clients including architects, main contractors, designers, property managers and facilities management companies as well as directly for retailers and business owners.

Our signs can be seen on Shopping Centers, Hotels, Restaurants, Office Buildings, Industrial Estates, Business Parks, Factories And High Rise Towers across the UAE. These signage could be internal / external sign, illuminated / non-illuminated sign.

We manage the entire job for our clients, from start to finish, starting with samples, specification advice and budget costing, through design drawings and planning applications up to manufacture and installation. Later we will carry out systematic sign repair and maintenance programs over the lifespan of the signs.

Our intention on every job is to give our clients the very best advice with regards to the signage that would work best for their business, their budget and particular needs in the site. We find this approach a very efficient way to create an effective signage and satisfied the customer.

CORPORATE SIGNAGE PROJECTS	03-06	DIRECTORY SIGN	13
3D SIGNAGE ALL TYPE	07	OFFICE SIGNS Internal/External	13
RECEPTION SIGN	08	SITE PROJECT SIGN	14
DIGITAL SIGN	08	FENCE Initial Site Mobilization Work	14
VEHICLE GRAPHICS	09	PARKING SIGNS/TRAFFIC SIGN / SAFETY SIGN	15
FLAGS, BANNERS & POSTERS	09	CLIENTS LIST	16-17
EVENTS Buildup & Graphics Outdoor/Indoor	10-11	MAIN TRADE LICENSE	18
PYLON SIGNS DOOR NUMBERS SIGN SERVICE ROOMS SIGN Internal / External	12		



3D Signage | Vehicle Branding | Flags, Banners & Posters | Exhibit & Displays | Event Promotions
Hoardings | Projects Signage Design & Management | Way Finding | Traffic & Safety Signage

CORPORATE SIGNAGE PROJECTS

FOREVER LIVING PRODUCTS - SHOWROOM (SHEIKH ZAYED ROAD)- DUBAI



Roof top & showroom front 3D signage

Customized **3D Brass metal** works with antique finish

- a. Logo at VIP lounge
- b. Logo at CEO office
- c. Hanging Customized Ceiling lights with grey mirrors
- d. Customized Wall featured lights



3D Brass metal Forever Name

450 pcs individual individual triangle Hanging lights with DMX color change lights





3D Signage | Vehicle Branding | Flags, Banners & Posters | Exhibit & Displays | Event Promotions
Hoardings | Projects Signage Design & Management | Way Finding | Traffic & Safety Signage

CORPORATE SIGNAGE PROJECTS

FOREVER LIVING PRODUCTS - SHOWROOM (SHEIKH ZAYED ROAD)- DUBAI



Customized Hanging Lights
Wall Graphics
Illuminated Counters
3D signages



Customized 4 spots lights
Customized wall lights panels
big ceiling lights 6x3 meter
3D signages





3D Signage | Vehicle Branding | Flags, Banners & Posters | Exhibit & Displays | Event Promotions
Hoardings | Projects Signage Design & Management | Way Finding | Traffic & Safety Signage

CORPORATE SIGNAGE PROJECTS

HOTELS, TOWERS, SHOWROOMS, SHOPS (INDOOR & OUTDOOR)



Dubai Marina Yacht club

Dubai Marina Yacht Club
Belongs to
EMAAR Hospitality Group



Front

Gulf Oasis Hotel Apartments



Back

Gulf Oasis Hotel Apartments
Tecom, Barsha - Dubai
3D signage front & back
Facade Lighting



AURIS GROUP OF HOTELS



AURIS GROUP OF HOTELS

- * Deira
 - * Barsha
 - * next to Mall of Emirates
- Front, Rear & Roof top 3D signage



ORIENT - Al Futtaim Insurance



ORIENT - Al Futtaim Insurance

Dubai Festival City

Full Branding

* Front & rear signage

* All floor glass frosting with great patterns



3D Signage | Vehicle Branding | Flags, Banners & Posters | Exhibit & Displays | Event Promotions
Hoardings | Projects Signage Design & Management | Way Finding | Traffic & Safety Signage

CORPORATE SIGNAGE PROJECTS

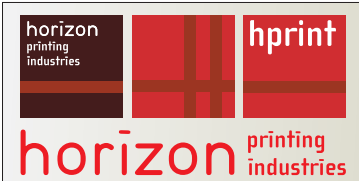
HOTELS, TOWERS, SHOWROOMS, SHOPS (INDOOR & OUTDOOR)



5 MM THICK FLAT
(ALUMINUM) LETTERS

Arabian Ranches Golf Club

Arabian Ranches Golf Club
Al Barsha - Dubai
From : Mr. Waseem
(Purchase Executive)
Mobile : 050 - 5243211,
Tel. : 04 - 3663000



Horizon Printing Industry
(Dubai Media Production Zone)



Horizon Printing Industry
Dubai Media Production Zone
Dubai
Client : Mr. Morti
Mobile : 00971 - 50 - 4791575



JEBEL ALI FREE ZONE



3D ALUMINUM LETTERS

UPS Supply Chain Solution
Jebel Ali - Dubai
Mr. Robinson (Supply Chain Manager)
Mobile : 00971 - 50 - 5584062



GOLD AND DIAMOND PARK - DUBAI



3D BRASS LETTERS

Jeweled Watches
Gold & Diamond Park- Dubai
Mr. Tarek (ZEN STUDIO)
Mobile : 00971 - 50 - 6415818



3D Signage | Vehicle Branding | Flags, Banners & Posters | Exhibit & Displays | Event Promotions
Hoardings | Projects Signage Design & Management | Way Finding | Traffic & Safety Signage

3D SIGNAGE ALL TYPE

HOTELS, TOWERS, SHOWROOMS, SHOPS (INDOOR & OUTDOOR)



MAG COMPLEX (IND. AREA 18 - SHARJAH)

MAG COMPLEX
IND. AREA 18 - SHARJAH
12 Showrooms (all 3D Signs)
160 Warehouses (Flex face signs)
Complete Contract for Signs
Including installation & maintenance
Client : Moafaq AL Qaddah Group
Mr. Sofian (Admin Manager)
Mobile : 050 - 6572270, Tel. : 04 - 5751110



MAG ME (PROPERTY SOLUTION) JUMEIRAH - DUBAI

MAG ME PROPERTY SOLUTION
JUMEIRAH - DUBAI
3D Signs at main Exit & Entrance
Including installation & maintenance
Mr. Mazen (Managing Partner)



Dubai Taxi Main Station

Dubai Taxi Corporation (Main Station)
Al Muhaisnah - Dubai
3D Sign at Main Exit & Entrance
Including installation & maintenance
Client : DUBAI TAXI (RTA)
Mr. Noman Abdul Rahim (Sr. Manager)
Mobile : 050 - 4567140



Zulal Water Factory

Zulal Water Factory
Dibba - Sharjah
3D Signs at Entrance
Client : Al Kauther Cont.
Eng. Silva (Project Manager)
Mobile : 050 - 4810768

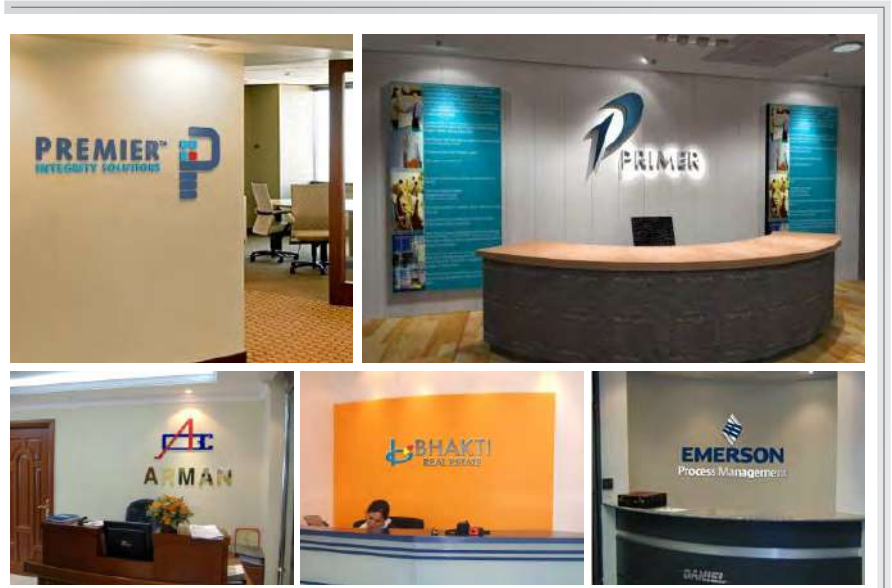


3D Signage | Vehicle Branding | Flags, Banners & Posters | Exhibit & Displays | Event Promotions
Hoardings | Projects Signage Design & Management | Way Finding | Traffic & Safety Signage

RECEPTION SIGNAGE

First impressions last, make a striking and professional statement to all your customers and clients at the first point of contact. Incorporate your logo, colours and graphics in a combination of applications including 3-Dimensional acrylic, aluminum or vinyl to enhance your company profile.

- Impressive display of corporate image.
- Many design options - acrylic, aluminum, painted timber, glass, vinyl, digital graphics, 3-D lettering & logos.
- Variety of finishes available - frosted, vinyl and sprayed (painted) background.



DIGITAL SIGNAGE

Self standing display made of Stainless steel / wood and Acrylic as required with LCD screen (Multimedia) and corporate branding.





3D Signage | Vehicle Branding | Flags, Banners & Posters | Exhibit & Displays | Event Promotions
Hoardings | Projects Signage Design & Management | Way Finding | Traffic & Safety Signage

VEHICLE GRAPHICS

Full vibrant colour digital graphics will transform your car, truck or entire fleet. "Clear Vision" technology enables us to cover your windows with graphics without obscuring driver visibility.

The flexibility of new solvent casting materials enable us to cover the surface of your entire vehicle in a digital "wrap". Customize vinyl lettering, logos and graphics to suit any vehicle specifications. Turn your fleet vehicles into mobile advertisements. Vinyl can be removed when no longer required.



FLAGS, BANNERS & POSTERS

We are making all types of flags & banners on different types of media (Cloth, Mesh, Banner mid, Flex face) Digital printed, screen printed & cutout vinyl sticker pasted. We have full facility to install these flags & banners on road poles & individual poles as per your requirement.





3D Signage | Vehicle Branding | Flags, Banners & Posters | Exhibit & Displays | Event Promotions
Hoardings | Projects Signage Design & Management | Way Finding | Traffic & Safety Signage

EVENTS Buildup & Graphics Outdoor/Indoor

Corporate event is not your usual party but a flagship event that indicates your staff, competitors and the wider world that yours is a company worth valuing. For events like these, our team will build an exclusive occasion from the ground up, starting with the venue. Whenever we create these events, they have to say something about the client and how it wants to be seen. From there you'll be taken through the bespoke creation of the event as, theming and entertainment which are all expertly handled by the Account Manager, as they strive to produce an evening equal to their own rigorous standards and unforgettable.

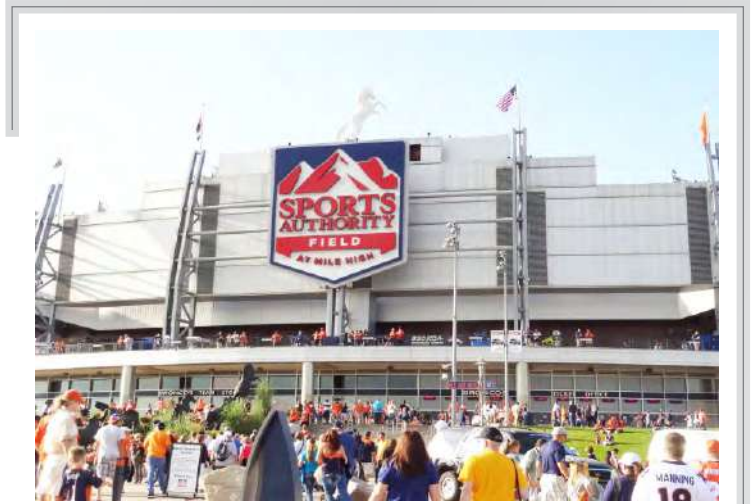




3D Signage | Vehicle Branding | Flags, Banners & Posters | Exhibit & Displays | Event Promotions
Hoardings | Projects Signage Design & Management | Way Finding | Traffic & Safety Signage

EVENTS Buildup & Graphics Outdoor/Indoor

- iGraphics provides all the below Event stuff with different materials and cost options as per client's budget.
- Exhibition Stands
- Display Stand
- Stage platform & Stage backdrop
- Banners & Flags
- Arch Gate
- Self Standing Poles & Stands
- Time restriction is the major obstacle in Events which is smartly catered by our experienced Event Management Teams and well skilled craftsmen because of our in-House production facilities.





3D Signage | Vehicle Branding | Flags, Banners & Posters | Exhibit & Displays | Event Promotions
Hoardings | Projects Signage Design & Management | Way Finding | Traffic & Safety Signage

PYLON SIGN Internal/External

Looking for directional sign?

Directional signage and arrows are a great tools to point your clients to the right direction. Professional looking direction sign will get clients to properties or desired destinations without confusion.



Especially designed sign
to brand the complete project
with same sequence.

DOOR NUMBER SIGN SERVICE ROOM SIGN Internal/External

We manufacture a wide variety of door numbers in many different materials. Illustrated are individual numerals in acrylic and chrome plated brass, etched and silk screen printed plates and customized plates.

Service room sign made with different materials like Stainless Steel, Aluminum (all types), Brass, PVC, Acrylic with engraving or direct printing.





3D Signage | Vehicle Branding | Flags, Banners & Posters | Exhibit & Displays | Event Promotions
Hoardings | Projects Signage Design & Management | Way Finding | Traffic & Safety Signage

OFFICE SIGN Internal/External

We manufacture and install a wide variety of office signage in many different materials. We use Stainless Steel, Aluminum (all types), Brass, PVC, Acrylic & glass with engraving, direct printing or individual cut letter pasting as required.



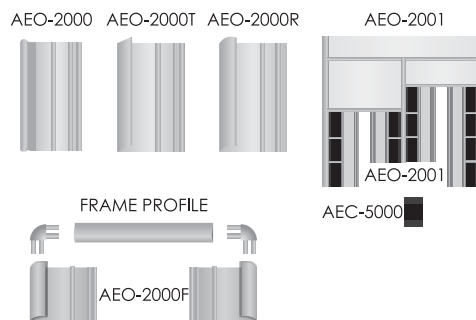
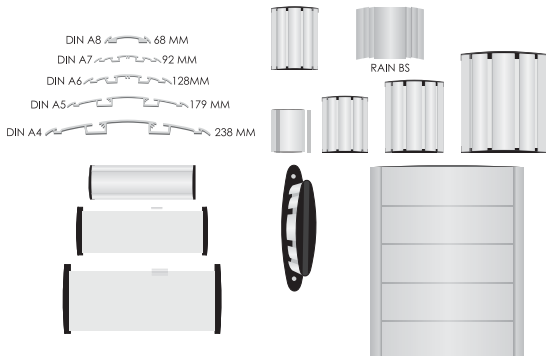
DIRECTORY SIGN

Architectural signage, directory boards and directional signage are important and necessary components to a building. The important elements include parking signs, lift signs, foyer signage, reception area sign and directory listings.

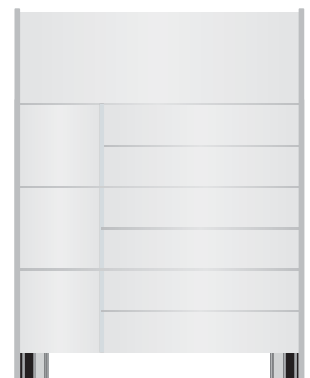
We use variety of materials including aluminum panel /acrylic panel with vinyl cut out lettering or even a fabulous 3D feature with dimensional lettering and logos.



PROFILES & ACCESSORIES



ALUMINIUM SIDE TRACKS





3D Signage | Vehicle Branding | Flags, Banners & Posters | Exhibit & Displays | Event Promotions
Hoardings | Projects Signage Design & Management | Way Finding | Traffic & Safety Signage

SITE PROJECT SIGN

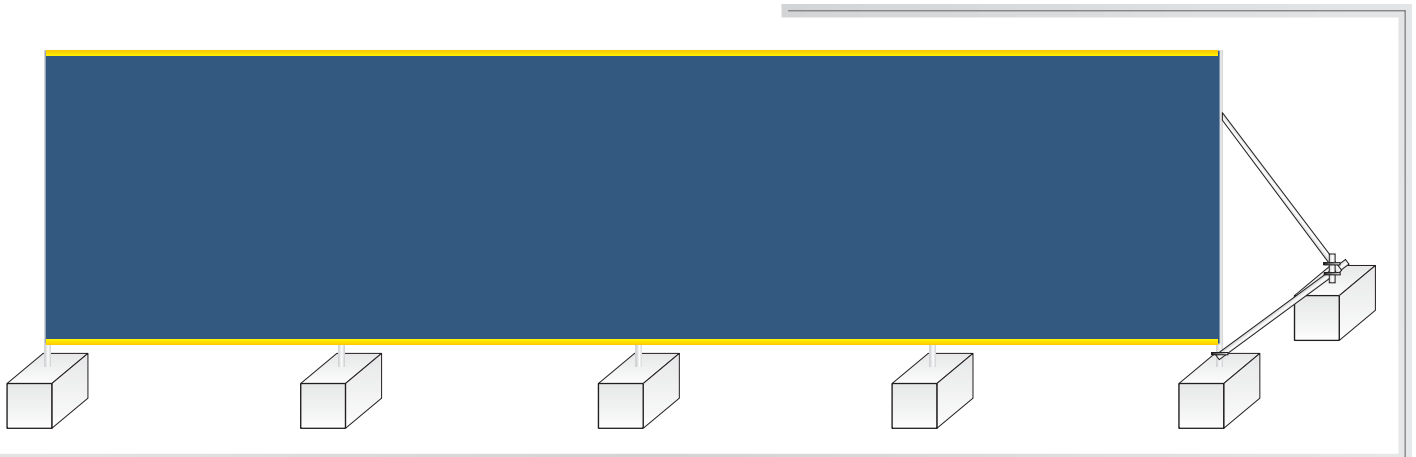
Structure signage are often used at construction of shopping malls, buildings, bridges, warehouse etc. To identified through project perspective pictures, client, consultant, contractor and sub-contractor details.

Our company is specialized in all types of structure signage. We have a full setup of fabrication and installation of structure as per consultant/ requirements. Our workshop is fully equipped with all necessary tools and equipment.

<p>DUBAI MUNICIPALITY بلدية دبي Government Housing Department إدارة الاسكان الحكومي Housing Construction Section قسم تنفيذ مشاريع الاسكان</p> <p>PROJECT مشروع CONSTRUCTION & MAINTENANCE OF 114 GOVERNMENT HOUSES AT AL QOZE إنشاء وصيانة عدد 114 سكن حكومي بمنطقة القوز</p> <p>CONSULTANT AL BURJ ENGINEERING CONSULTANTS مكتب البرج للاستشارات الهندسية P. O. Box : 14338 Dubai - U.A.E., Tel.: 04 - 2955549, Fax: 04 - 2944489</p> <p>MAIN CONTRACTOR LOOTAH BUILDING & CONSTRUCTION لوتاه للإنشاء والتعمير P. O. Box : 10531 Dubai - U.A.E., Tel.: 04 - 2858223, Fax: 04 - 2858899</p> <p>SUB CONTRACTOR OUD AL MUTEENA DUBAI - LOOTAH CONT.</p>	<p>Bldg. Permit No.: 4070 - 5 - 2 Plot No.: 3680576, Al Qoze 3 - Dubai Project Details : 1U+G+1M+1+2R</p> <p>CLIENT Dubai Islamic Bank بنك دبي الإسلامي</p> <p>AL ASRI ENGINEERING CONSULTANT المصري للاستشارات الهندسية P.O. Box 20845 Dubai Tel: 26 888 40 Fax: 26 888 95 http://www.alasri.com License No.: 129063</p> <p>Main Contractor: OMIS CONTRACTING CO. Dubai - U.A.E. P. O. Box: 26674 Tel: 04-2828347 Fax: 04-2828366 Sharjah - U.A.E. P. O. Box: 2689 Tel: 06-5922035 Fax: 06-2689444</p> <p>AL QUOZ DUBAI - OMIS CONT. DUBAI</p>	<p>TWIN TOWER - SHARJAH - AL KAUTHER CONT. MARINA DUBAI - TAV CONSTRUCTION</p>	<p>JEBEL ALI RAIL 132 / 33kV SUBSTATION (MPS-1) قطار جبل علي محطة فرعية 132 / 33kV (MPS-1)</p>											
		<table border="1"> <tr> <td>BUILDING PERMIT NO: رقم الترخيص: JEBEL ALI RAIL 132 / 33kV SUBSTATION (MPS-1)</td> <td>PLOT NO: 500-1697 رقم الأرض: محطة فرعية 132 / 33kV (MPS-1)</td> </tr> <tr> <td>RTA هيئة الطرق والمواصلات Government of Dubai Roads & Transport Authority P.O. Box: 118899 Dubai Tel: 04 2065600</td> <td>Dubai Electricity & Water Authority هيئة كهرباء ومياه دبي Dubai Electricity & Water Authority Electricity Division P.O. Box: 584 Dubai Tel: 04 3244444</td> </tr> <tr> <td>Dubai Metro Project Contract No: RAIL 001 RED LINE</td> <td>مشروع قطار دبي</td> </tr> <tr> <td>CLIENT: SYSTRA / PARSONS P. O. Box: 110591 Dubai U.A.E. Tel: 042340202 Fax: 042340203</td> <td>سيمسترا / پارسونز</td> </tr> <tr> <td>CONTRACTOR: MITSUBISHI P.O. Box: 183397 Dubai, U.A.E. Tel: 04-2279948, Fax: 04-2274726</td> <td>DUBAI RAPID LINK CONSORTIUM (DURL) Mitsubishi Corporation P.O. Box: 182845, Dubai, U.A.E. Tel: 04-2212121, Fax: 04-2212181</td> </tr> <tr> <td>SUBCONSULTANT: BEL-YOAHAH باليوحة P.O. Box: 182845, Dubai, U.A.E. Tel: 04-2212121, Fax: 04-2212181</td> <td>الاستشاري: Actco P.O. Box: 182845, Dubai, U.A.E. Tel: 04-2212121, Fax: 04-2212181</td> </tr> </table> <p>DUBAI RAIL PROJECT - DUBAI - JEBEL ALI - ACTCO CONT.</p>	BUILDING PERMIT NO: رقم الترخيص: JEBEL ALI RAIL 132 / 33kV SUBSTATION (MPS-1)	PLOT NO: 500-1697 رقم الأرض: محطة فرعية 132 / 33kV (MPS-1)	RTA هيئة الطرق والمواصلات Government of Dubai Roads & Transport Authority P.O. Box: 118899 Dubai Tel: 04 2065600	Dubai Electricity & Water Authority هيئة كهرباء ومياه دبي Dubai Electricity & Water Authority Electricity Division P.O. Box: 584 Dubai Tel: 04 3244444	Dubai Metro Project Contract No: RAIL 001 RED LINE	مشروع قطار دبي	CLIENT: SYSTRA / PARSONS P. O. Box: 110591 Dubai U.A.E. Tel: 042340202 Fax: 042340203	سيمسترا / پارسونز	CONTRACTOR: MITSUBISHI P.O. Box: 183397 Dubai, U.A.E. Tel: 04-2279948, Fax: 04-2274726	DUBAI RAPID LINK CONSORTIUM (DURL) Mitsubishi Corporation P.O. Box: 182845, Dubai, U.A.E. Tel: 04-2212121, Fax: 04-2212181	SUBCONSULTANT: BEL-YOAHAH باليوحة P.O. Box: 182845, Dubai, U.A.E. Tel: 04-2212121, Fax: 04-2212181	الاستشاري: Actco P.O. Box: 182845, Dubai, U.A.E. Tel: 04-2212121, Fax: 04-2212181
BUILDING PERMIT NO: رقم الترخيص: JEBEL ALI RAIL 132 / 33kV SUBSTATION (MPS-1)	PLOT NO: 500-1697 رقم الأرض: محطة فرعية 132 / 33kV (MPS-1)													
RTA هيئة الطرق والمواصلات Government of Dubai Roads & Transport Authority P.O. Box: 118899 Dubai Tel: 04 2065600	Dubai Electricity & Water Authority هيئة كهرباء ومياه دبي Dubai Electricity & Water Authority Electricity Division P.O. Box: 584 Dubai Tel: 04 3244444													
Dubai Metro Project Contract No: RAIL 001 RED LINE	مشروع قطار دبي													
CLIENT: SYSTRA / PARSONS P. O. Box: 110591 Dubai U.A.E. Tel: 042340202 Fax: 042340203	سيمسترا / پارسونز													
CONTRACTOR: MITSUBISHI P.O. Box: 183397 Dubai, U.A.E. Tel: 04-2279948, Fax: 04-2274726	DUBAI RAPID LINK CONSORTIUM (DURL) Mitsubishi Corporation P.O. Box: 182845, Dubai, U.A.E. Tel: 04-2212121, Fax: 04-2212181													
SUBCONSULTANT: BEL-YOAHAH باليوحة P.O. Box: 182845, Dubai, U.A.E. Tel: 04-2212121, Fax: 04-2212181	الاستشاري: Actco P.O. Box: 182845, Dubai, U.A.E. Tel: 04-2212121, Fax: 04-2212181													

FENCE - Initial Site Mobilization Work

Our team is capable to install all types of fences, specially metal sheets, with concrete pedestals all over the U.A.E. We can offer a very competitive price.





3D Signage | Vehicle Branding | Flags, Banners & Posters | Exhibit & Displays | Event Promotions
Hoardings | Projects Signage Design & Management | Way Finding | Traffic & Safety Signage

PARKING SIGN/TRAFFIC SIGN/SAFETY SIGN

We have a wide range of PARKING SIGN / TRAFFIC SIGN/ SAFETY SIGN for all types of projects.

Our team can design and install all types of parking and safety sign within proposed budget.

PARKING SIGN

2nd BASEMENT FLOOR LEVEL

SIZE : 200X40 CM

2.4 m Max. Height 2.4 متر اقصى ارتفاع ٢.٤ متر

PARKING P1, P2, P3 الموقف العلوي ١-٢-٣

EXIT ONLY ممتنع الدخول

SIZE : 122X30 CM

المواقف Parking	المواقف Parking
الموقف السفلي - ٢ Parking - B2	الموقف السفلي - ١ Parking - B1
الموقف السفلي - ٢ Parking - B2	الموقف السفلي - ١ Parking - B1
الموقف السفلي - ٢ Parking - B2	الموقف السفلي - ١ Parking - B1
الموقف السفلي - ٢ Parking - B2	الموقف السفلي - ١ Parking - B1
الموقف السفلي - ٢ Parking - B2	الموقف السفلي - ١ Parking - B1

SIZE : 30X30 CM **SIZE : 45x45 CM**

TRAFFIC SIGN

Grid of traffic signs including: Road works, No trucks, No parking, Priority, and various directional signs.

SAFETY SIGN

Grid of safety signs including: Fire equipment, First aid, and various safety symbols.



PROJECTS/ELITE CUSTOMER LIST

We are doing outdoor advertising jobs for these clients regularly.

CUSTOMER

JOB DETAILS

DUBAI PROPERTIES	Constructions and placement of direction sign at main roads (Sheikh Zayed Road, Marina, Media City & Al Khail Road) for their sales office. (Client Zen Studios)
BUSINESS BAY	Constructions and placement of direction signage at main roads (Sheikh Zayed Road, Marina, Media City & Al Khail Road) for their sales office. (Client Zen Studios)
RTA Road & Transport Authority Dubai Taxi Corporation	Erection, construction and installation of illuminated sign at site given below a) at Rashidiya site - New Headquarters b) at Muhaisnah (Dubai Taxi & RTA Office) c) Dubai Taxi & RTA Office d) 3D sign at terminal 3 (Dubai Airport) f) Service Section (Illuminated signage for different departments)
<u>EMAAR HOSPITALITY GROUP</u> DUBAI POLO & EQUESTRIAN CLUB ARABIAN RANCHES & GOLF CLUB THE ADDRESS MONTGOMERIE THE ADDRESS DUBAI MALL DUBAI MARINA YACHT CLUB HAYYA CLUB	Supply, installation and maintenance of illuminated main 3D sign in most of hospitality clubs of Emaar Properties. Supply of Roll up stands, backdrop, flags and posters as well.
JOTUN PAINTS	Maintenance of pole sign (3 Sides)at Al Quoz-Dubai
UPS	installation of 3D signage at warehouse in Jebel Ali – Dubai
JOYALLUKAS JEWELLERS	installation of illuminated sign type at many shops in U.A.E (Under sub. contract of Photo Land Studios)
UNIVERSITY OF WOLLONGONG IN DUBAI UOWD	Installation and maintenance of main 3D signs (illuminated with light inside) at Knowledge village, Dubai. Installation of vehicle graphics for school buses & vans.
AL MADAR INVESTMENTS LLC	Erection, construction & installation of Main project signs, Metallic Fence at many sites, some of them are given below a) Suhail Tower - Dubai Water front b) Coopet Building - Dubai Land c) Siraj Tower - Dubai Land d) Al Qasba Consultant Building - Dubai Land e) Scala Tower - Business bay (Parking & all internal signs)
AL FUTTAIM ENGINEERING	Supply of project sign for A/C division in Sharjah, Dubai, Al Ain, Abu Dhabi & RAK.
AL ROSTAMANI PEGEL LLC	Erection, construction & installation of illuminated sign for many sites, some of them are given below a) Aviation Club Hotel (Garhoud - Dubai) b) Rashidiya, Barsha, Muhaisnah, Warqaa c) Global Bay View (Business Bay - Dubai) d) Crane & Fence Sign Wooden signage are supplied for many sites



CUSTOMER

JOB DETAILS

ACTCO CONTRACTING

Installation of Aluminum panel sign for Dubai Rail Project Jebel Ali, Dubai

PALACE CONTRACTING - DUBAI
PLUS PALACE CONTRACTING LLC
DUBAI & ABU DHABI

Erection, construction & installation of non-illuminated sign at many sites, some of them are given below.

- a) 4 Villa sites in Emirates Hills
- b) Villa in Al Barsha
- c) Villa in Al Khawaneej

Wooden signage are supplied for many sites

RANICON CONTRACTING DUBAI

Erection, construction & installation of non-illuminated signs in many sites, some of them are given below.

- a) Flex Villas in Jumeirah Village
- b) Midrise Residential Building in Jumeirah Village

Wooden signage are supplied for many sites.

TAV Construction

Erection, construction & installation of illuminated signage in many sites, some of them are given below

- a) Residential Tower in Marina – Dubai
- b) Majestic Tower – Al Khan – Sharjah
- c) Abu Dhabi Airport Extension Project - Abu Dhabi

Wooden signage are supplied for many sites

ARMAN GROUP
ARMAN BUILDING CONT.

installation of illuminated sign at many sites, some of them are given below

- a) Warehouses in Industrial Area 18 – Sharjah
- b) Showrooms in Industrial Area 18 – Sharjah
- c) Showrooms & warehouses in Industrial Area 18 – Sharjah
- d) Head Office (Reception 3D sign)

Wooden signage are supplied on many sites.

AL KAUTHER CONTRACTING

Installation of illuminated signage at many sites, some of them are given below.

- a) Al Qusais – Dubai
- b) Zula Water – Kalba
- c) Al Nahda – Sharjah
- d) Al Qasimia – Sharjah
- e) Abu Shaghara – Sharjah
- f) Al Nuaimia – Ajman

Wooden signage are supplied on many sites.

OMIS CONTRACTING
Sharjah & Dubai

Erection, construction & installation of illuminated sign at many sites, some of them are given below.

- a) Al Nouf Mosque – Sharjah
- b) G+4, Al Qulia – Sharjah
- c) Al Majarra – Sharjah
- d) Al Nabba – Sharjah
- e) G+4, Al Quoz – Dubai
- f) G+4p+15 (Al Nahda - Sharjah)
- g) G+4p+25F Twin Tower (Abraj Al Johar) Al Khan - Sharjah
- h) G+4F (Dubai Land) Mizin Project (Barsha Dubai)

Wooden signage are supplied for many sites.



3D Signage | Vehicle Branding | Flags, Banners & Posters | Exhibit & Displays | Event Promotions
Hoardings | Projects Signage Design & Management | Way Finding | Traffic & Safety Signage



رخصة تجارية
Commercial License

License Details / تفاصيل الرخصة	
License No.	702716
Company Name	I GRAPHICS SIGN ADVERTISING L.L.C
Trade Name	I GRAPHICS SIGN ADVERTISING L.L.C
Legal Type	Limited Liability Company(LLC)
Expiry Date	27/01/2023
D&B D-U-N-S ®	0
Register No.	1131288
Issue Date	28/01/2014
Main License No.	702716
DCCI No.	230570

License Members / أطراف				
Share / النقص	Role / الصفة	Nationality / الجنسية	Name / الاسم	No. / رقم النقص
	Manager / مدير	Pakistan / باكستان	خاور حسين محمد بيهي	497061
	Manager / مدير	Pakistan / باكستان	محمد يوسف محمد رياض	497059

License Activities / نشاطات الرخصة التجارية	
Promotional Gifts Preparing	تحضير و إنتاج الهدايا الاعلانية
Advertising Billboards Contracting	مقاولات تركيب الفوحات الاعلانية
Advertisement Designing & Producing	خدمات التصميم و الاعلان و الاعلان و تصميم الاعلانات
Advertising Agency	وكالة اعلان

Address / العنوان	
Phone No	971-04-7002280
Fax No	
Mobile No	971-50-7002280
P.O. Box	119256
Parcel ID	118

نسخة: النسخة القياسية
IC1-ENG-Y22-510
البريد الإلكتروني / Email

الملاحظات / Remarks
تمت الحيل في 20/3/2014
تم تجديد الرخصة بتاريخ 13/4/2014
تم تجديد الرخصة في تاريخ 15/01/2015

إدارة التراخيص
LICENSING DEPARTMENT



صدرت عن دائرة التخطيط والتطوير - تراخيص والتعاون مع دائرة الاقتصاد والسياحة - دبي النظام المعدل في مناطق التطوير الخاصة
Issued by PCFC - Trakhees in cooperation with Department of Economy and Tourism - Dubai as per Local Law in Special Development Zone

دائرة التخطيط والتطوير - تراخيص ص.ب. 2003، دبي إ.ع.م.
Days of Planning & Development - Trakhees, P.O. Box, 2003 Dubai, U.A.E



GOVERNMENT OF SHARJAH
Economic Development Department



حكومة الشارقة
دائرة التنمية الاقتصادية

رخصة مهنية
Professional License

License Details / تفاصيل الرخصة	
Issue Date	2008/02/19
Expiry Date	2023/02/17
Trade Name	I GRAPHICS SIGN
Legal status	Services Agency
License No.	541247
Registration No.	51135

License Members / أطراف الرخصة					
Share / النقص	Role / الصفة	Nationality / الجنسية	ID/Passport No.	Investor Name	Investor No.
%50	شريك	باكستان	784197857131979	خاور حسين محمد بيهي	57697
%50	شريك	باكستان	784197619582600	محمد يوسف محمد رياض	57698
%0	وكيل خدمات	الإمارات	784198604919595	طلح هيل محمد كرم	15001

نشاط الرخصة: خطوط رسم وتصميم و إنتاج الفوحات الاعلانية و تركيبها
العنوان: شارع التنمية الاقتصادية رقم 12، خلف شارع الملك فيصل، شارع رقم 7، خلف شارع محمد القاسمي وشركة

رقم الهاتف: 0097 1507471936
مركز البريد: 44296
البريد الإلكتروني: khawar@igraphics.ae

iGraphics Sharjah
t. +971 6 544 1110
f. +971 6 544 1116
Ind. Area 12, Behind BMW Showroom
Sharjah, U.A.E



تاريخ الصلاحية: 2022/01/31
رقم الترخيص: 42715

- This document is official. It doesn't need to be stamped or signed.
- To view license details please visit SEDD web site: www.sedd.ae
- Distribution of this license is strictly prohibited in public and restricted areas.
- هذا وثيقة رسمية ولا تحتاج لخبز أو توقيع
- الكافة من جهة الترخيص يرجى زيارة الموقع الإلكتروني: www.sedd.ae
- توزيع هذا الترخيص في الأماكن العامة والمناطق المقيدة هو ممنوع تماماً.